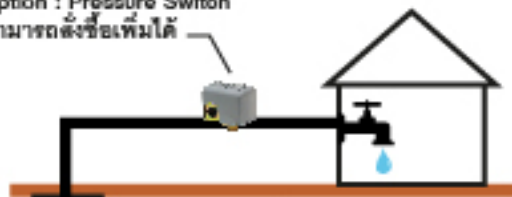
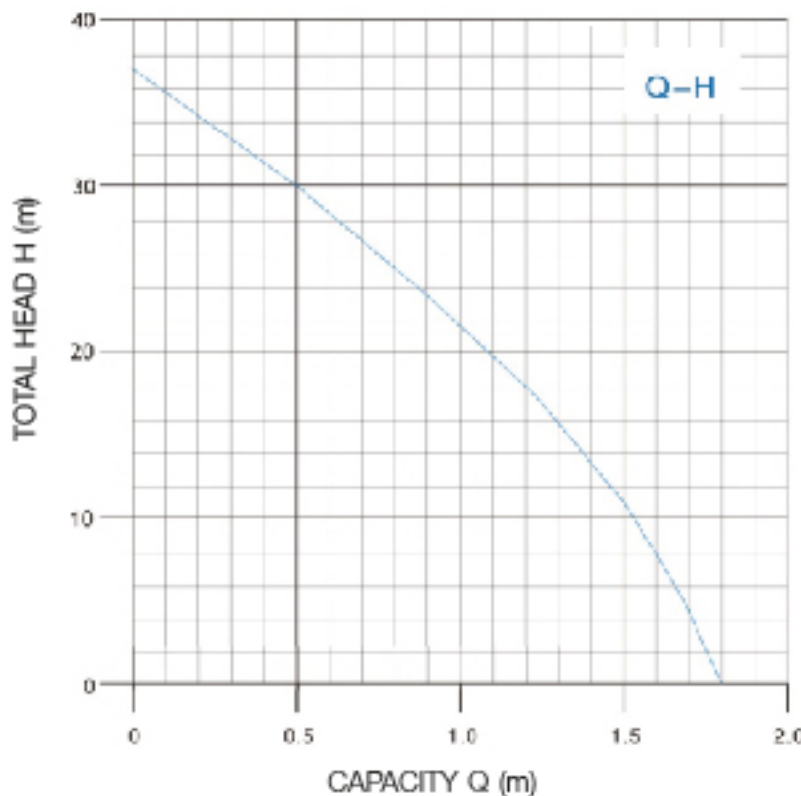
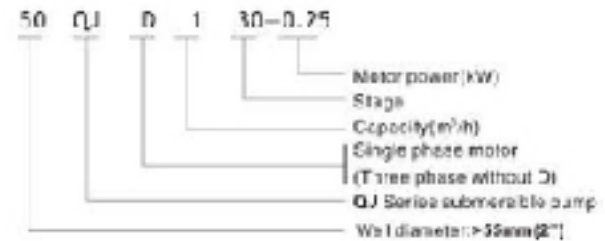


Option : Pressure Switch สามารถตั้งซื้อเพิ่มได้



ขนาดท่อ 0.5 นิ้ว
สายไฟกลมสีดำ 3x0.5mm² ยาว 30 เมตร (ไม่มีกล่องควบคุม)
0.5" pipe dia
30m 3x0.5mm² round black cable
Without control box 220V/50Hz

เหมาะกับการใช้งานในบ้านพักอาศัย
อัตราการไหล 1 คิว/ชม. ที่ความสูง 22 เมตร
30 ใบพัด สายไฟสีดำ 3x0.5mm² สายไฟยาว 30 เมตร



• Pump/Motor

Qmax: 1.8(m³/h)
Insulation class: B
Protection grade: IP68
Maximum diameter: Ø53mm
Highest temperature of liquid: 35°C

OUTLET G 1/2"



• PERFORMANCE TABLE:

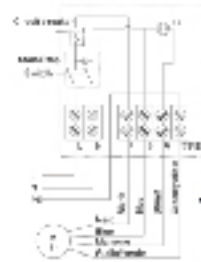
rpm: 2850

Outlet: G 1/2"

Type	Motor power		Capacity and head								Length (mm)	Price
			l/min	0	8	13	17	20	25	28		
			m ³ /h	0	0.5	0.8	1	1.2	1.5	1.7		
50QJD130-0.25	0.25	0.33	1.8	37	30	25	22	19	10	4	1325	7,500.-

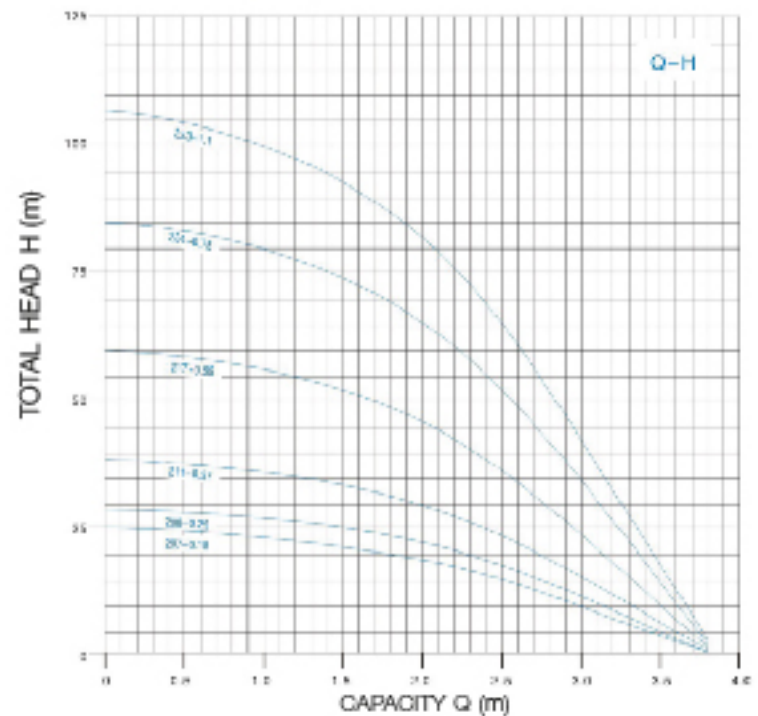
▶ = มีสินค้า

เหมาะกับการใช้งานในบ้านพักอาศัย
อัตราการไหล 2 คิว/ชม. ที่ความสูง 65 เมตร
24 ใพบิด สายไฟสีฟ้า 4x1 mm² สายไฟยาว 50 เมตร



75 QJ D 2 24-0.75

- Motor power (kW)
- Stage
- Capacity (m³/h)
- Single phase motor (Three phase without D)
- QJ Series submersible pump
- Well diameter : >80mm(3")



PERFORMANCE TABLE:

rpm: 2850 Outlet: G 1.2"

Pump/Motor

Q max: 3.8(m³/h)
Insulation class: B
Protection grade: IP 68
Maximum diameter: φ 75mm
Highest temperature of liquid: 35°C

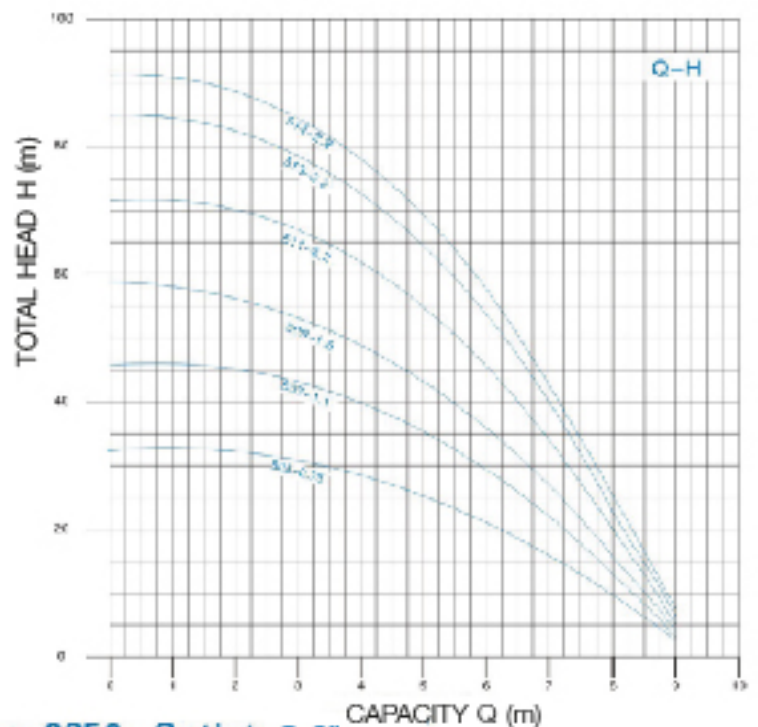
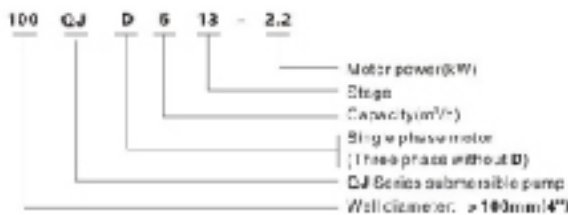
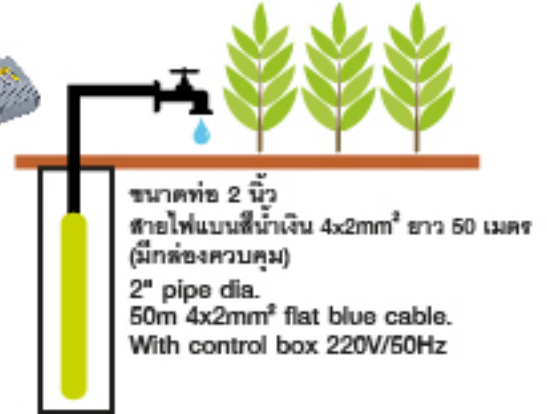
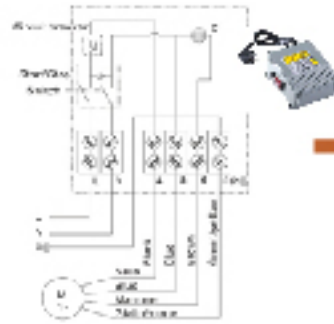
Type	Motor power		Capacity and head										Length (mm)	Price
			m ³ /h											
	kW	Hp	0	0.5	1	1.5	1.8	2	2.5	3	3.8			
75QJD207-0.18	0.18	0.24	25	23	22	21	20	19	15	10	1	663		
75QJD208-0.25	0.25	0.33	28	27	26	25	23	22	17	11	1	720		
75QJD211-0.37	0.37	0.5	39	37	35	34	32	30	24	15	2	828		
76QJD217-0.65	0.55	0.75	60	58	56	52	49	46	37	23	3	1054		
▶ 75QJD224-0.75	0.75	1	65	62	59	54	50	46	37	23	3	1316	11,000.-	
75QJD233-1.1	1.1	1.5	110	107	101	95	90	85	67	42	4	1604		

OUTLET G 1.2"



หมดแล้วใช้รุ่น 4SRm511 แทน

เหมาะกับการเพาะปลูก เกษตรกรรม
อัตราการไหล 5 ลิตร/ชม. ที่ความสูง 45 เมตร
9 ไร่พืด, สายไฟสีฟ้า 4x2mm² สายไฟยาว 50 เมตร



PERFORMANCE TABLE:

Type		Motor power		Capacity and head							Length (mm)	Price	
Single phase 220-240V-50Hz	Three phase 380-415V-50Hz	kW	Hp	l/min m ³ /h	0	67	83	100	117	133			150
100QJD505-0.75	100QJ505-0.75	0.75	1	Head (m)	33	28	25	21	16	9	2	740	15,000.-
100QJD507-1.1	100QJ507-1.1	1.1	1.5		46	39	35	29	22	13	3	828	
▶ 100QJD509-1.5	100QJ509-1.5	1.5	2		59	50	45	37	28	18	4	920	
100QJD511-2.2	100QJ511-2.2	2.2	3		72	62	55	45	34	20	5	1060	
100QJD513-2.2	100QJ513-2.2	2.2	3		85	73	65	53	40	23	6	1127	
100QJD514-2.2	100QJ514-2.2	2.2	3		92	78	70	59	45	25	7	1160	

Pump/Motor

- NEMA standard
- Q max: 5m³/h
- Insulation class: D
- Protection grade: IP 68
- Maximum diameter: 95mm
- Highest temperature of liquid: 35°C
- Options of different materials are available.

OUTLET G 2"





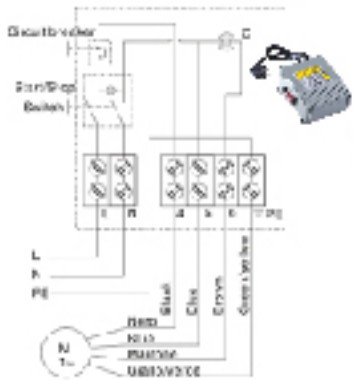
ปั๊มน้ำบาดาล 4" SUBMERSIBLE PUMP **4SRm5** (100QJ5)

SERIES

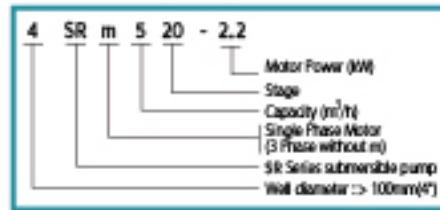
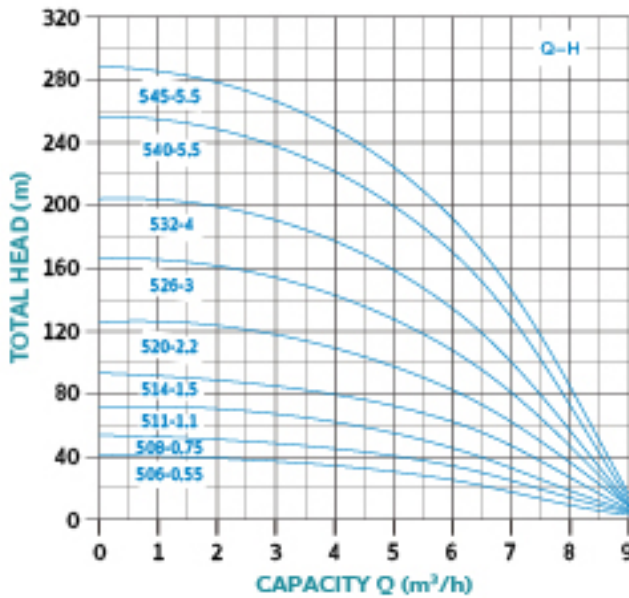
4SRm5

(100QJ5)

เหมาะกับการ **เพาะปลูก เกษตรกรรม**
อัตราการไหล 5 ลิตร/ชม. ที่ความสูง 55 เมตร
11 ไร่พีด, สายไฟสีฟ้า 4x2mm² สายไฟยาว 50 เมตร



ขนาดท่อ 2 นิ้ว
สายไฟแบนสีน้ำเงิน 4x2mm² ยาว 50 เมตร
(มีกล่องควบคุม)
2" pipe dia.
50m 4x2mm² flat blue cable.
With control box 220V/50Hz



OUTLET G 2"



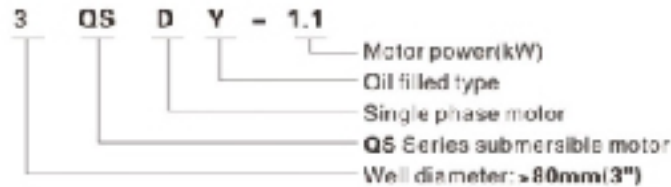
PERFORMANCE TABLE : RPM : 2850

TYPE	MOTOR POWER		CAPACITY AND HEAD							LENGTH (mm)	PRICE	
	SINGLE PHASE 220-240V~50Hz	kW	HP	L/min m³/h	0	50	67	83	100			133
4SRm506-0.55	0.55	0.75		38	37	35	30	28	11	6	736	
4SRm508-0.75	0.75	1		51	49	46	40	35	14	7	823	
4SRm511-1.1	1.1	1.5		70	67	64	55	48	20	8	1007	16,000.-
4SRm514-1.5	1.5	2		90	85	81	70	62	25	9	1152	
4SRm520-2.2	2.2	3		128	122	116	100	88	36	11	1499	
4SRm526-3	3	4		166	159	151	130	114	47	12	1700	
-	4	5.5		205	195	186	160	141	58	13	2004	
-	5.5	7.5		256	244	232	200	176	72	14	2381	
-	5.5	7.5		288	275	261	225	198	81	16	2587	

PUMP/MOTOR

- NEMA Standard
- Q max : 9(m³/h)
- Insulation class : B
- Protection grade : IP 68
- Maximum diameter : ø98mm
- Highest temperature of liquid : 35°C

Option of different materials are available.



● **TECHNICAL DATA:
-Motor**

- Speed: **2850rpm**
- Voltage: **220V-240V~/50Hz**
- Insulation class: **B**
- Protection grade: **IP 68**
- Highest temperature of liquid: **35°C**
- Maximum content of solid substance: **40gr/m³**
- Motor casing: **stainless steel**
- With sandproof cover/pressure balance membrane/ mechanical seal with high performance.

Pre-Order

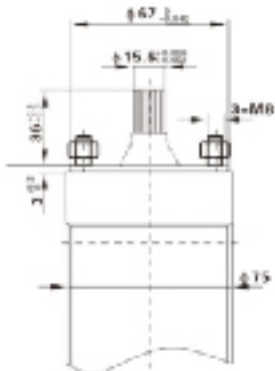
● **SINGLE PHASE DIMENSIONS OF MOTOR UNIT:**

Type	For Model	Motor power		Capacitor 450V μ F	Current Rated A	Efficiency % η	Power factor Cos ϕ	Length (mm)
		kW	Hp					
single phase 220V-240V~/50Hz								
3QSDY-0.18		0.18	0.24	12	1.8	42	0.93	320
3QSDY-0.25		0.25	0.33	12	2.3	44	0.93	350
3QSDY-0.37		0.37	0.5	18	3	45	0.93	384
3QSDY-0.55		0.55	0.75	25	4.5	48	0.93	419
3QSDY-0.75	75QJD224 3SKm100	0.75	1	30	5.8	51	0.93	464
3QSDY-1.1		1.1	1.5	35	7.7	54	0.93	504

● **Wiring diagram of motor**



● **Each single phase three wires motor should equip a control box**

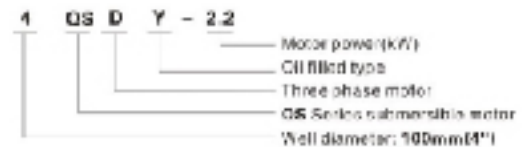




Pre-Order

• **TECHNICAL DATA:
-Motor**

Speed: 2950rpm
 Insulation class: **B**
 Protection grade: **IP 68**
 Highest temperature of liquid: **35°C**
 Maximum content of solid substance: **40gr/m³**
 Flange and coupling according to **NEMA** standard
 Motor casing: stainless steel
 With sandproof cover / pressure balance membrane/mechanical seal with high performance.



• **SINGLE PHASE DIMENSIONS OF MOTOR UNIT:**

Type	Motor power		Capacitor	Current	Efficiency	Power	Length (mm)	For Model
	kW	HP	450V μF	Rated A	% η	factor Cos φ		
4QSDY-0.37	0.37	0.5	18	2.9	65	0.93	362	
4QSDY-0.55	0.55	0.75	25	4.2	68	0.93	377	
4QSDY-0.75	0.75	1	30	5.4	61	0.93	402	
4QSDY-1.1	1.1	1.5	35	7.7	64	0.93	422	
4QSDY-1.5	1.5	2	45	9.7	67	0.93	447	100QJ509
4QSDY-2.2	2.2	3	70	15.6	68	0.93	482	

• Wiring diagram of motor

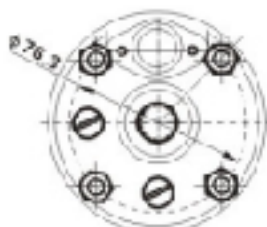
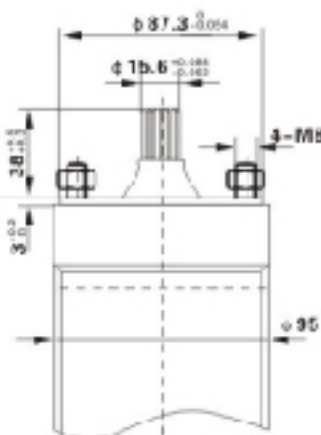


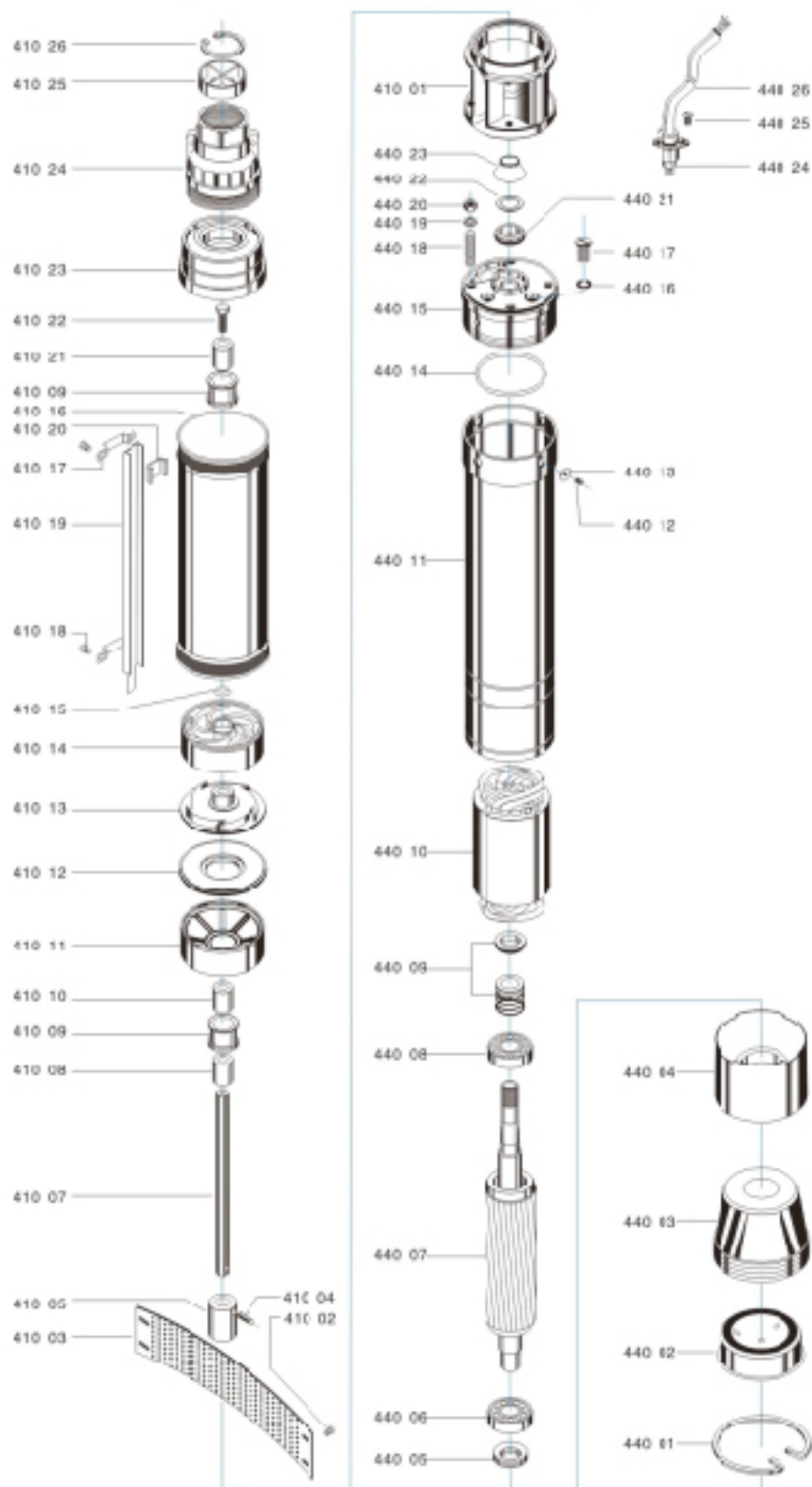
• Each single phase three wires motor should equip a control box

■ - สินค้าใหม่

• **THREE PHASE DIMENSIONS OF MOTOR UNIT:**

Type	Motor power		Current	Efficiency	Power	Length (mm)
	kW	HP	Rated A	% η	factor Cos φ	
4QSY-0.37	0.37	0.5	1.1	65	0.84	321
4QSY-0.55	0.55	0.75	1.5	61	0.85	346
4QSY-0.75	0.75	1	2.2	64	0.85	371
4QSY-1.1	1.1	1.5	3	67	0.86	391
4QSY-1.5	1.5	2	3.9	70	0.86	416
4QSY-2.2	2.2	3	5.5	72	0.87	441



The structure, code and name of the pump


410 01	Suction support
410 02	Screw
410 03	Strainer
410 04	Shaft pin
410 05	Coupling
410 08	Bushing
410 07	Shaft
410 10	Bearing bush
410 09	Guide bush
410 12	Diffuser Cover
410 11	Intermediate support
410 14	Diffuser
410 13	Impeller
410 16	Pump pipe
410 15	Sealing gasket
410 18	Screw
410 17	Holder pipe
410 20	Cable shield
410 19	Cable cover
410 22	Screw
410 21	Bearing bush
410 24	Outlet
410 23	Valve seat
410 26	Clamping spring
410 25	Valve
440 01	Clamping spring
440 02	End cover
440 03	Rubber cup
440 04	Bearing seat
440 05	Thrust bearing
440 06	Deep groove ball bearing
440 07	Motor rotor
440 08	Deep groove ball bearing
440 09	Mechanical seal
440 10	Motor stator
440 11	Motor pipe
440 12	Screw
440 13	Locking ring
440 14	"U"ring
440 15	Oil chamber
440 16	"O"ring
440 17	Screw
440 18	Stud
440 19	Washer
440 20	Nut
440 21	Static ring
440 22	Gasket
440 23	Sand proof cap
440 24	Cable shield sleeve
440 25	Screw
440 26	Cable

QK102-QK103 Series starting controller for single phase motor

TECHNICAL DATA:

• Single phase motor starting controller

Single phase capacitor operating motor is equipped with an external capacitor and a over-load protector in the starting controller which can automatically break down power supply (manual recover) when motor over-loading.

QK 1 0 2 - 0.37

— Motor power(kW)
— Design number
— Manual controller
— Single phase
— QK Series controller



• Suitable application range

- Type of motor: Single phase motor
- Motor power: **0.18-1.5kW**
- Voltage: 220-240V-
- Frequency: 50Hz

• Product functions

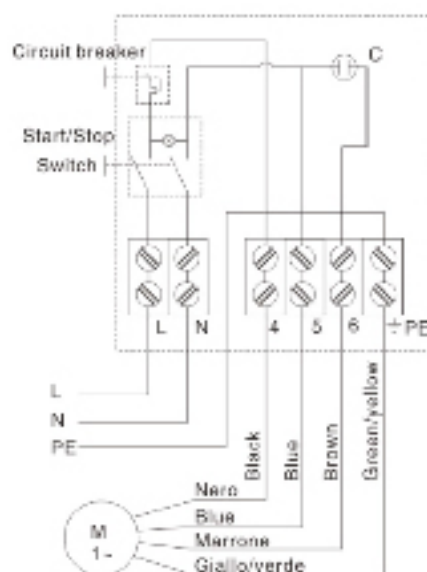
- Protect against short circuit
- Protect against over current

• Operating method

- Manual control

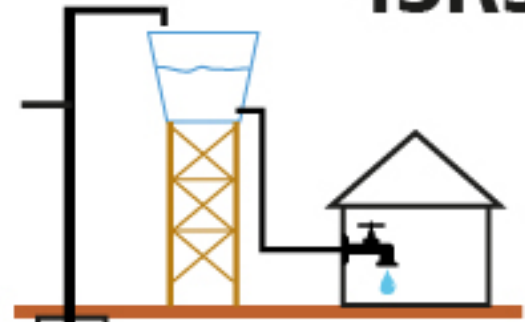
• Installation environment index

- Grade of protection: IP20
- Environment temperature: -25°C-+55°C
- Environment humidity: (20-90)%RH

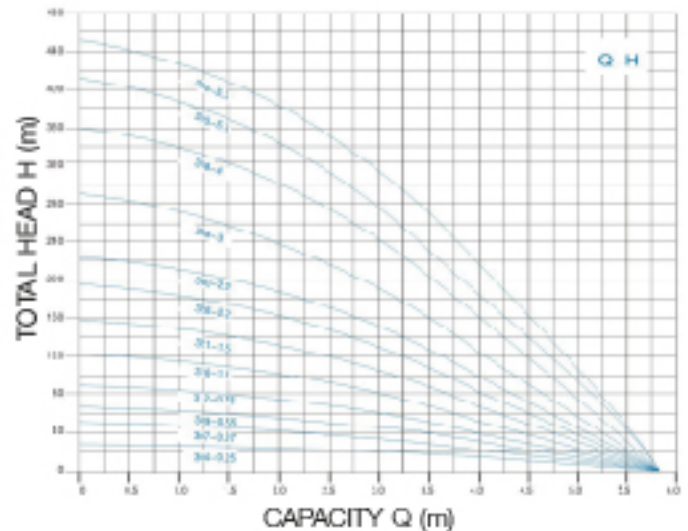
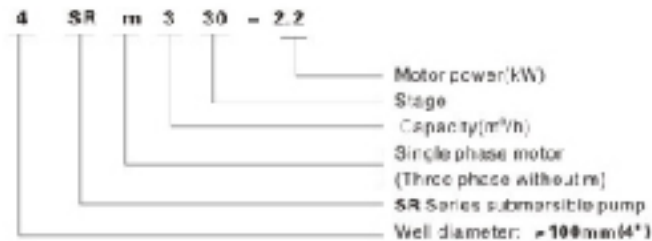


Type	For Model	Motor Power		Motor Current Rated	Capacitor 450V	Circuit Breaker Current	Price
		kW	Hp	A	μ F	A	
Single Phase 220V-240V-50Hz							
QK102-0.25		0.25	0.33	2.1	16.5	3	
QK102-0.37		0.37	0.5	2.9	18	4	
■ QK102-0.55	75QJD217	0.55	0.75	4.2	25	5	750.-
■ QK102-0.75	75QJD224	0.75	1	5.4	30	6	750.-
QK102-1.1		1.1	1.5	7.7	35	8	
■ QK102-1.5	100QJD509, 100QJD808	1.5	2	9.7	45	10	900.-
QK103-2.2		2.2	3	15.6	70	13	

เหมาะกับการใช้งานในบ้านพักอาศัย
 อัตราการไหล 3 คิว/ชม. ที่ความสูง 60 เมตร
 12 โวลต์ สายไฟสีฟ้า 4x1.5mm² สายยาว 50 เมตร
 จำนวนโวลต์น้อยแต่ประสิทธิภาพในการส่งสูงกว่า
 เมื่อเทียบกับรุ่น QJ322 ขนาด 3 คิว 22 โวลต์



ขนาดท่อ 2 นิ้ว
 สายไฟแบนสีน้ำเงิน 4x1.5mm² ยาว 50 เมตร
 (มีกล่องควบคุม)
 2" pipe dia.
 50m 4x1.5mm² flat blue cable.
 With control box 220V/50Hz



▶ - มีสินค้า

● PERFORMANCE TABLE:

rpm:2850

Outlet: G 2"

Type		Motor power		Capacity and head									Length (mm)	Price	
Single phase 220-240V - 50Hz	Three phase 380-415V - 50Hz	Motor power		l/min	Capacity and head										
		kW	HP		0	2	2.5	3	3.5	4	5	5.8			
4SRm304-0.25	4SR304-0.25	0.25	0.33	Hood (m)	30	75	23	20	18	13	4	2	511		
4SRm307-0.37	4SR307-0.37	0.37	0.5		52	11	40	35	32	22	6	2	720		
4SRm308-0.55	4SR308-0.55	0.55	0.75		63	50	51	45	41	29	0	3	798		
▶ 4SRm312-0.75	4SR312-0.75	0.75	1		90	75	68	60	55	38	10	5	907	12,000.-	
4SRm316-1.1	4SR316-1.1	1.1	1.5		120	100	91	80	73	51	12	7	1108		
4SRm321-1.5	4SR321-1.5	1.5	2		158	131	120	105	95	67	14	7	1301		
4SRm326-2.2	4SR326-2.2	2.2	3		195	163	148	130	119	83	18	6	1594		
4SRm330-2.2	4SR330-2.2	2.2	3		225	188	171	150	137	96	18	11	1712		
—	4SR338-3	3	4		285	238	217	190	173	122	20	13	1983		
—	4SR348-4	4	5.5		360	300	274	240	219	154	21	14	2378		
—	4SR355-5.5	5.5	7.5		413	344	314	275	251	176	22	15	2693		
—	4SR360-5.5	5.5	7.5		450	375	342	300	274	192	23	15	2879		

● Pump/Motor

- NEMA standard
- Q max: 5.8m³/h
- Insulation class: F5
- Protection grade: IP 68
- Maximum diameter: φ30mm
- Highest temperature of liquid: 35°C
- Options of different materials are available.

OUTLET G 2"



• TECHNICAL DATA: -Motor

Speed: **2850rpm**

Insulation class: **B**

Protection grade: **IP 68**

Highest temperature of liquid: **35°C**

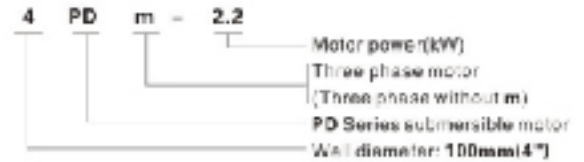
Maximum content of solid substance: **40gr/m³**

Flange and coupling according to **NEMA** standard

Motor casing: **stainless steel**

Maximum diameter: **ø 98 mm**

With sandproof cover / pressure balance membrane/mechanical seal with high performance.

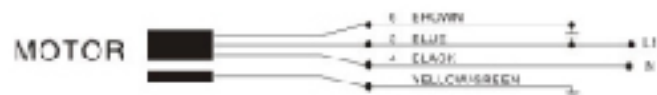


Pre-Order

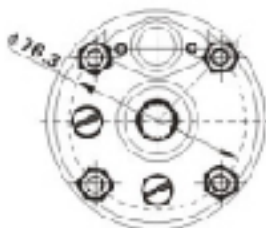
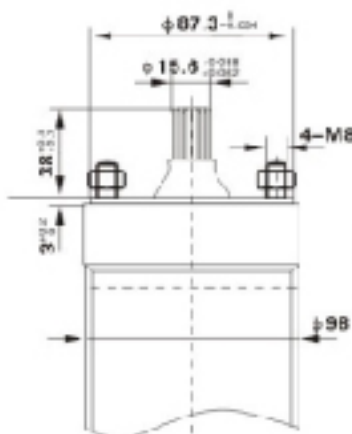
• SINGLE PHASE DIMENSIONS OF MOTOR UNIT:

Type	Motor power		Capacitor	Current	Efficiency	Power factor	Length (mm)
	kW	HP	450V μF	Rated A	% η	cos φ	
4PDm-0.25	0.25	0.33	20	3	54	0.93	323
4PDm-0.37	0.37	0.5	25	3.6	55	0.93	343
4PDm-0.55	0.55	0.75	30	4.8	58	0.93	363
4PDm-0.75	0.75	1	40	6.3	61	0.93	383
4PDm-0.9	0.9	1.2	40	7.7	63	0.93	403
4PDm-1.1	1.1	1.5	45	8.6	64	0.93	428
4PDm-1.5	1.5	2	50	10.6	67	0.93	473
4PDm-2.2	2.2	3	80	15.6	68	0.93	580

• Wiring diagram of motor

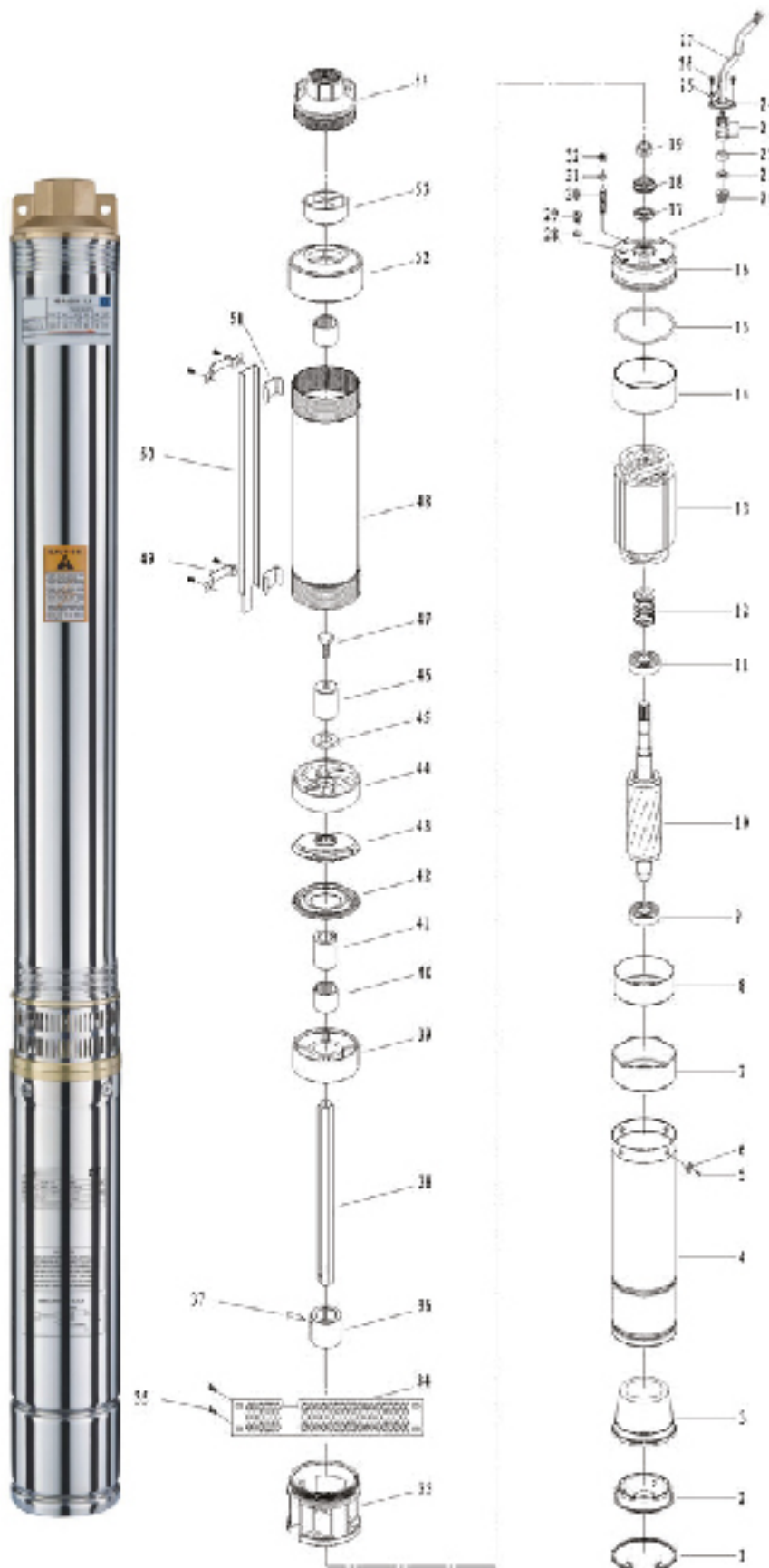


• Each single phase three wires motor should equip a control box



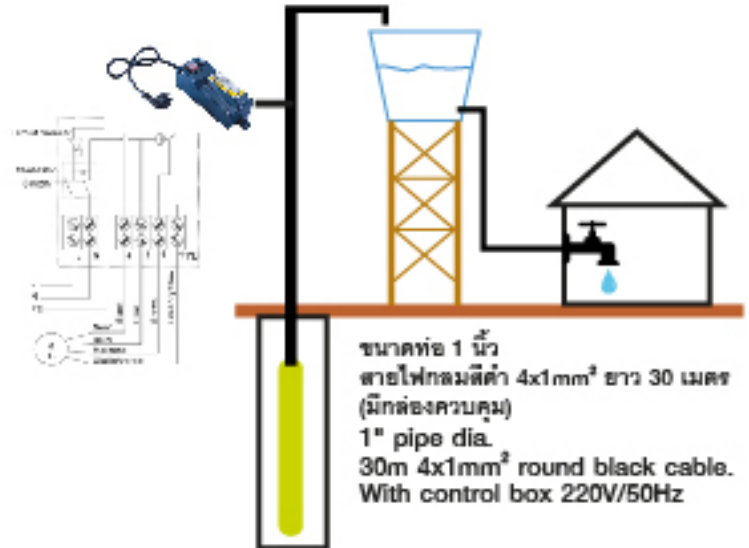
• THREE PHASE DIMENSIONS OF MOTOR UNIT:

Type	Motor power		Current	Efficiency	Power factor	Length (mm)
	kW	HP	Rated A	% η	cos φ	
4PD-1.1	1.1	1.5	3.0	66	0.74	428
4PD-1.5	1.5	2	3.9	68	0.76	473
4PD-2.2	2.2	3	5.6	70	0.77	566
4PD-3	3	4	7.3	71	0.77	580
4PD-4	4	5.5	9.6	74.5	0.78	645
4PD-5.5	5.5	7.5	12.7	75.5	0.79	755
4PD-7.5	7.5	10	16.8	76	0.80	955



1	Clamping spring
2	End cover
3	Expand sleeve
4	Motor pipe
5	Screw
6	Locking ring
7	Bearing seat
8	Insulation cover
9	Deep groove ball bearings
10	Motor rotor
11	Deep groove ball bearings
12	Mechanical seal
13	Motor stator
14	Support cover
15	O-ring
16	Oil chamber
17	Stator oil seal
18	Sand proof cover
19	Sand proof cap
20	Seal set
21	Washer
22	Cable shield sleeve
23	Braking block
24	Pressing plate
25	Grounding terminals
26	Screw
27	Cable
28	O-ring
29	Screw
30	Stud
31	Washer
32	Pat
33	Section support
34	Strainer
35	Screw
36	Coupling
37	Shaft pin
38	Shaft
39	Intermediate support
40	Guide bush
41	Bearing bush
42	Diffuser words
43	Impeller
44	Diffuser
45	Sealing garter
46	Bearing bush
47	Screw
48	Pump pipe
49	Endler pipe
50	Cable cover
51	Cable shield
52	Valve seat
53	Valve
54	Outlet

เหมาะกับการใช้งานในบ้านพักอาศัย
อัตราการไหล 1 ลิตร/ชม. ที่ความสูง 36 เมตร
สายไฟสีดำ 4x1 mm² สายยาว 30 เมตร

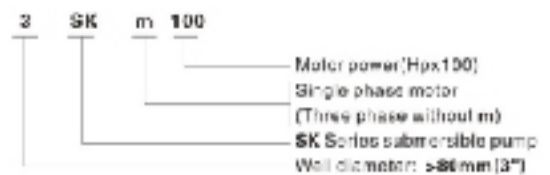
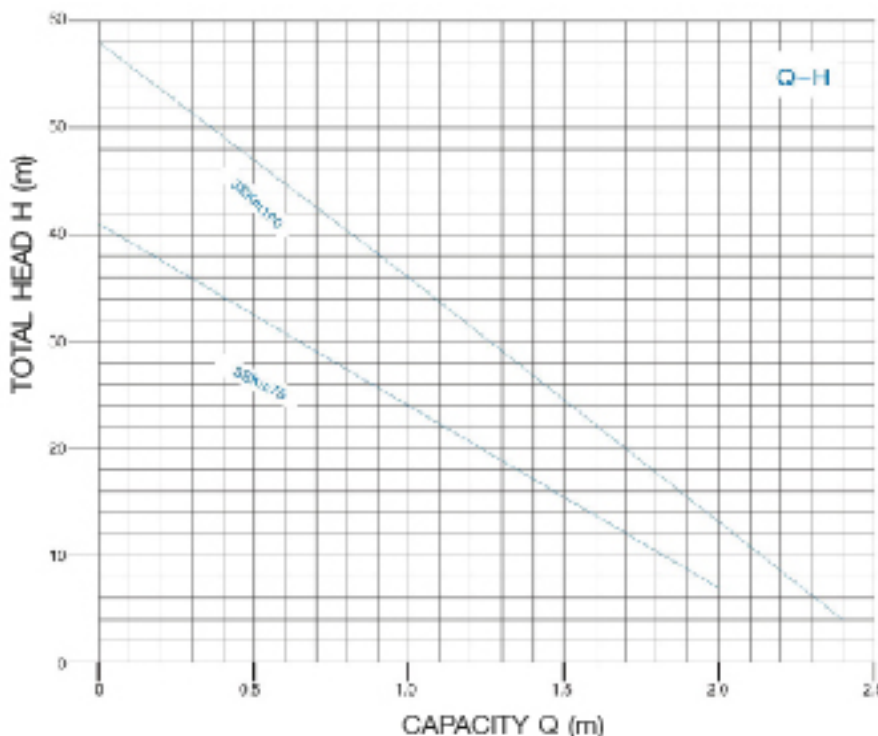


PERFORMANCE TABLE:

rpm:2900 Outlet:G 1"

Type		Motor power		Capacity and head								Length (mm)	Price
Single phase 220-240V - 50Hz	Three phase 380-415V - 50Hz	kW	HP	m ³ /h	0	0.5	0.8	1	1.5	2	2.4		
3SKm75	3SK 75	0.55	0.75	Head	41	30	26	23	15	7	-	478	
▶ 3SKm100	3SK 100	0.75	1	(m)	58	45	40	36	25	12	4	535	8,000.-

▶ = มีสินค้า



Pump/Motor

Continuous service.
Q_{max}: 2.5(m³/h)
Insulation class: B
Protection grade: IP 68
Maximum diameter: φ 75 mm
Highest temperature of liquid: 35°C

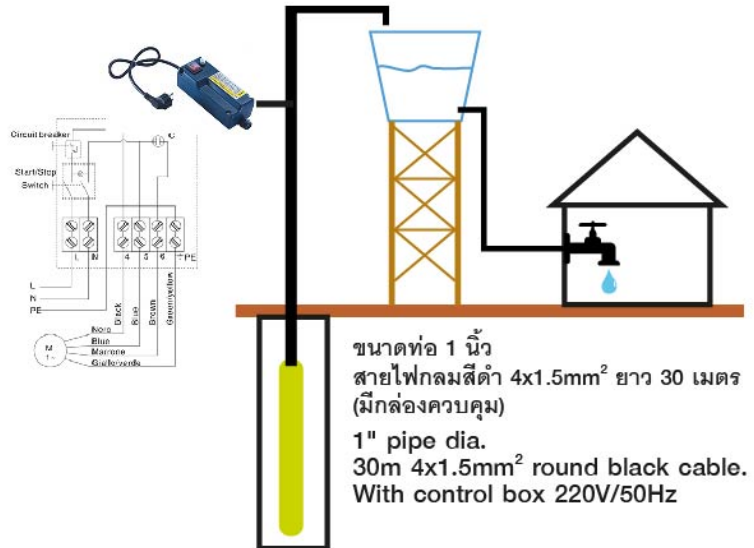
3 ใบพัดทองเหลือง

OUTLET G 1"



SERIES 4" PERIPHERAL SUBMERSIBLE PUMPS 4SKm

เหมาะกับการใช้งานในบ้านพักอาศัย
อัตราการไหล 1.5 คิว/ชม. ที่ความสูง 54 เมตร
สายไฟสีดำ 4x1.5mm² สายไฟยาว 30 เมตร



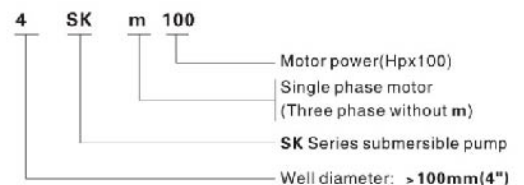
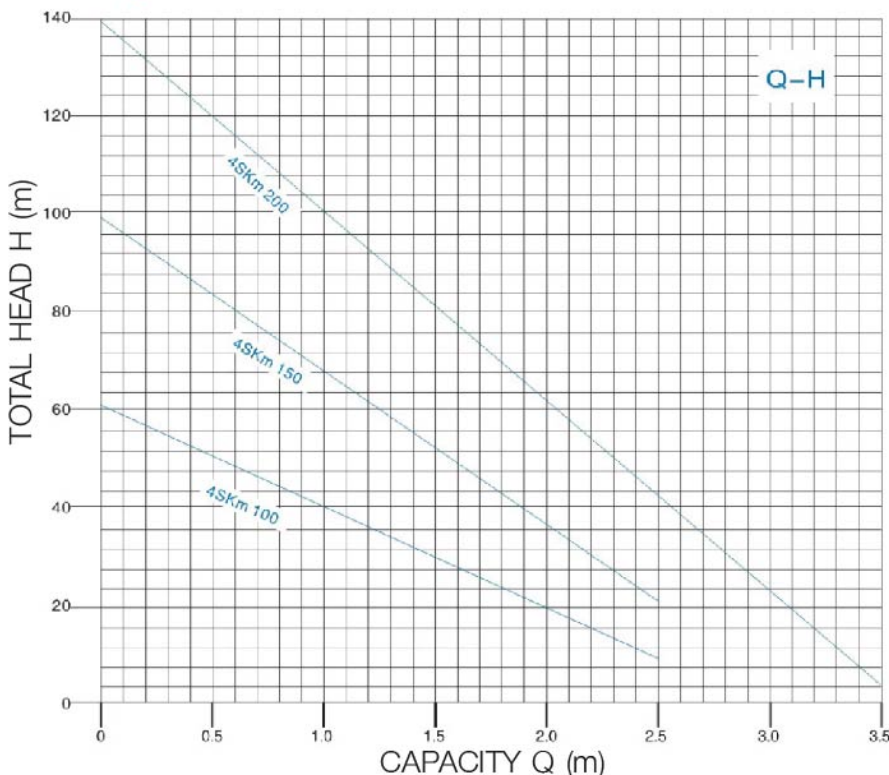
PERFORMANCE TABLE:

rpm:2900

Outlet:G 1"

Type		Motor power		Capacity and head									Length (mm)	Price
Single phase 220-240V ~ 50Hz	Three phase 380-415V ~ 50Hz	kW	Hp	m ³ /h	0	0.5	1	1.5	2	2.5	3.5			
4SKm 100	4SK 100	0.75	1	Head (m)	61	50	39	30	19	10	—	485		
▶ 4SKm 150	4SK 150	1.1	1.5		99	83	68	54	38	22	—	552	9,500.-	
4SKm 200	4SK 200	1.5	2		140	120	100	81	60	37	3	606		

▶ = มีสินค้า



Pump/Motor

Continuous service.

Q_{max}: 3.5(m³/h)

Insulation class: B

Protection grade: IP 68

Maximum diameter: φ 95 mm

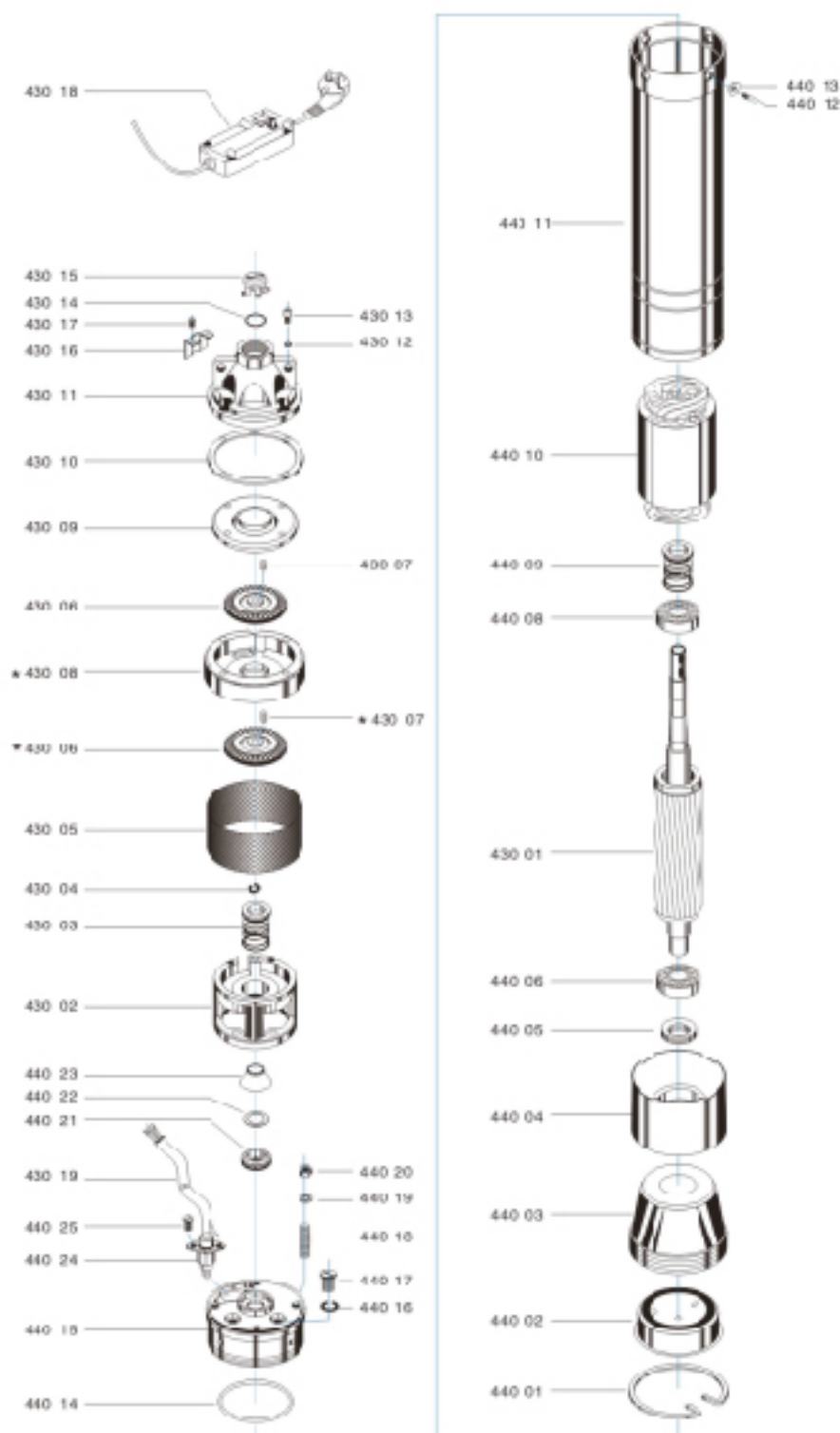
Highest temperature of liquid: 35°C

3 ใบพัดทองเหลือง OUTLET G 1"



SERIES 3" PERIPHERAL SUBMERSIBLE PUMPS 3SKm75

The structure, code and name of the pump



430 01	Motor stator
430 02	Suction support
430 03	Mechanical seal
430 04	Shaft ring
430 05	Filter net
430 06	Impeller
430 07	Key
430 08	Pump body
430 09	Pump cover
430 10	Gasket
430 11	Discharge chamber
430 12	Spring gasket
430 13	Screw
430 14	"O"Ring
430 15	Valve
430 16	Cable cover
430 17	Screw
430 18	Startina controller
430 19	Cable
440 01	Clamping spring
440 02	End cover
440 03	Rubber cup
440 04	Bearing seal
440 05	Thrust bearing
440 06	Deep groove ball bearings
440 08	Deep groove ball bearings
440 09	Mechanical seal
440 10	Motor stator
440 11	Motor pipe
440 12	Screw
440 13	Locking ring
440 14	"O"ring
440 15	Oil chamber
440 16	"O"ring
440 17	Screw
440 18	Stud
440 19	Washer
440 20	Nut
440 21	Static ring
440 22	Gasket
440 23	Sand proof cap
440 24	Cable shieldsleeve
440 25	Screw

- Only for 1SKm 150

QK101 Series starting controller for single phase motor

TECHNICAL DATA:

● Single phase motor starting controller

Single phase capacitor operating motor is equipped with an external capacitor and a over-load protector in the starting controller which can automatically break down power supply (manual recover) when motor over-loading.

QK 1 0 1 - 0.37



● Suitable application range

- Type of motor: Single phase motor
- Motor power: **0.18-1.5kW**
- Voltage: 220-240V-
- Frequency: 50Hz

● Product functions

- Protect against short circuit
- Protect against over current

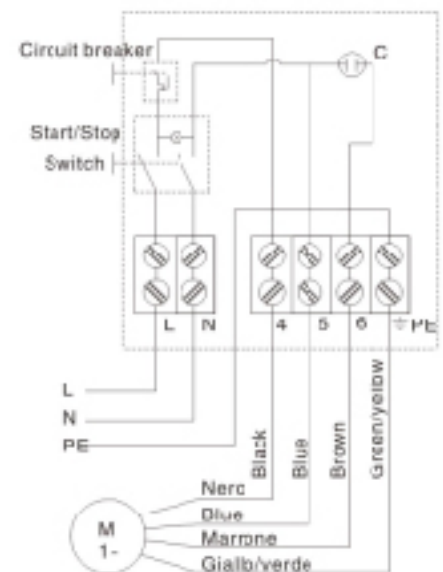
● Operating method

- Manual control

● Installation environment index

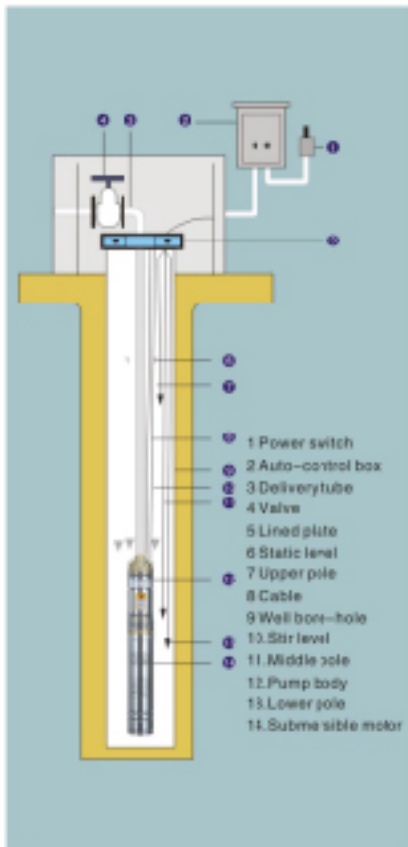
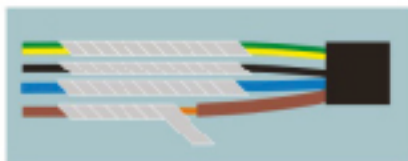
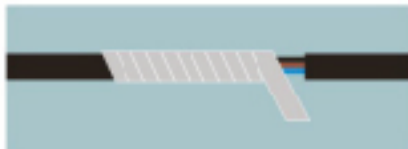
- Grade of protection: IP20
- Environment temperature: -25℃~+55℃
- Environment humidity: (20-90)%RH

Type	For Model	Motor power		Motor Current Rated	Capacitor 450V	Circuit breaker Current
		kW	Hp			
Singlephase 220V-240V 50Hz						
QK101-0.25		0.25	0.33	2.1	16.5	3
QK101-0.37		0.37	0.5	2.9	18	4
QK101-0.55	SSKm75	0.55	0.75	4.2	25	5
QK101-0.75	SSKm100	0.75	1	5.4	30	6
QK101-1.1		1.1	1.5	7.7	35	8



DIMENSION TABLE OF CABLE IN WELL

- The following table shows the max.Length from starter of motor to pump in well.



- Single phase capacitor operating submersible motor in well
- 220-240V-50Hz**

SIZE	kW	I _L (A)	1.5 mm ²	2.5 mm ²	4 mm ²	6 mm ²	10 mm ²
4"	0.37	4	111	185	205		
	0.55	5.8	80	133	211	315	
	0.75	7.5	68	95	153	229	377
	1.1	7.3	48	79	153	190	316
	1.5	10.2	34	57	32	137	228
	2.2	14		43	58	102	169

- Three phase asynchronous submersible motor
- 380-415V-50Hz**

SIZE	kW	I _L (A)	1.5 mm ²	2.5 mm ²	4 mm ²	6 mm ²	10 mm ²	15 mm ²	25 mm ²	35 mm ²
4"	0.37	1.4	768							
	0.55	2.2	489	811						
	0.75	2.3	416	691						
	1.1	3.4	281	467	744					
	1.5	4.2	219	363	579	862				
	2.2	5.5	163	264	405	605	907			
6"	3	7.9	113	188	300	447	736			
	4	9.6	89	147	235	350	578	909		
	5.5	13.6	66	109	174	260	427	671		
	7.5	17.6	49	81	130	193	319	501	746	
	9.2	21.8		65	103	154	254	400	611	833
	11	24.8		56	89	133	219	345	528	719
	15	34			66	98	161	254	729	974
	18.5	42				80	132	208	317	432

- If it used the star-delta connection to start the motor that the current will reduce $\sqrt{3}$ (1×0.58), so the length of cable can increase $\sqrt{3}$ ($L \times 1.73$) than the data in table.
- For example in fact the current of submersible pump is lower than the load current 10%, the length of cable can be longer 10% than the data in table.
- In order to reduce operating loss as far as possible, selected the cross section can much increase than the data in table. Especially for the condition which operating voltage is lower than the rated voltage.